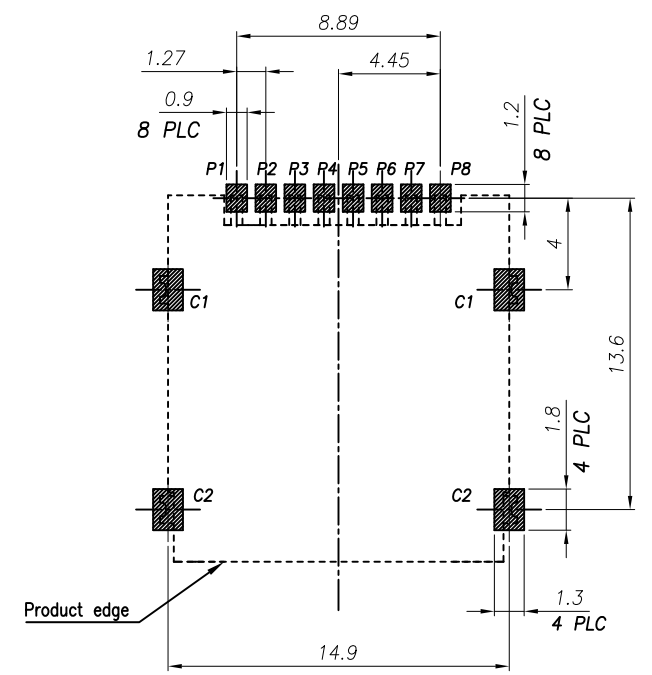
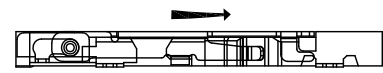
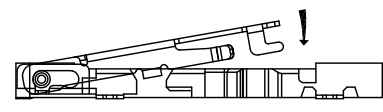
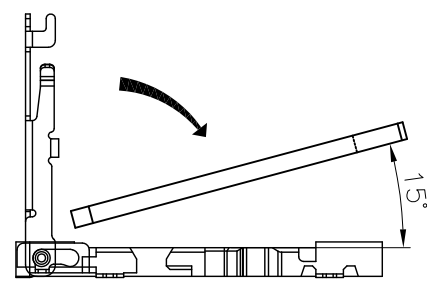
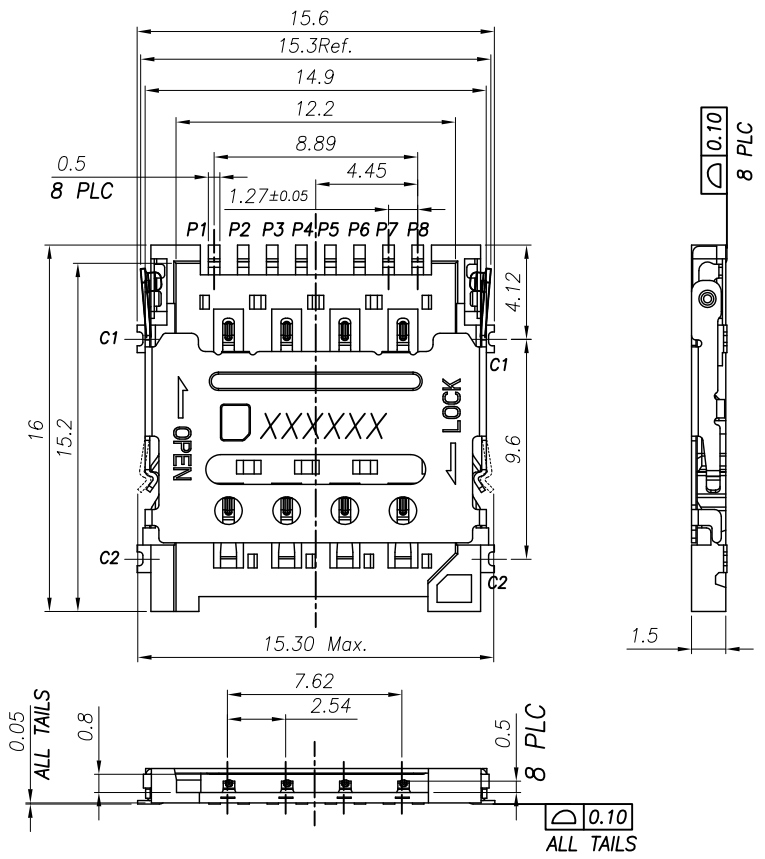


REV.	ECN.NO.	MODIFY.CONTENT
------	---------	----------------

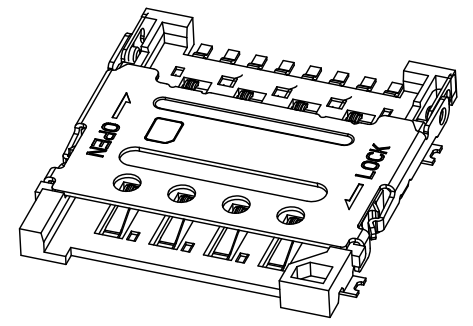


Recommended PCB Layout
(General tolerance: ±0.05)

- NOTES:
- MATERIAL:
 - HOUSING: HIGH TEMP. THERMAL PLASTIC(LCP S475), GLASS FIBER FILLED,UL94V-0, COLOR:BLACK.
 - CONTACT: PHOSPHOR BRONZE(C5210).
 - SHELL: STAINLESS STEEL(SUS304).
 - PLATING:
 - CONTACT: GOLD PLATING ON CONTACT AREA(SEE NOTE.4), GOLD FLASH ON SOLDERING TAILS, 50u"(min.) NICKEL UNDERPLATING OVERALL.
 - ELECTICAL:
 - CURRENT RATING : 0.5 A.
 - CONTACT RESISTANCE: 100m OHMS MAX.
 - INSULATION RESISTANCE: 1000M OHMS MIN. AT 250V DC.
 - DIELECTRIC WITHSTANDING VOLTAGE:500V AC/1MINUTE.
 - OPERATING TEMPERATURE: -40°C~+85°C.

PART.NO.:
SP97-AN401-**-**

- 08: 功能区镀金1U", 锡脚Gold Flash
- 09: 功能区镀金3U", 锡脚Gold Flash
- 10: 功能区镀金5U", 锡脚Gold Flash
- 11: 功能区镀金15U", 锡脚Gold Flash
- 12: 功能区镀金30U", 锡脚Gold Flash



MICRO SIM CARD	
PIN NO.	DESCRIPTION
P1	VCC
P2	GND
P3	RST
P4	VPP
P5	CLK
P6	I/O
P7	RESERVED
P8	RESERVED

GENERAL	TOLERANCE	DWG.NO.	SP97-AN401-00	PART.NO.	SP97-AN401-**-**	DRAWN	L.M.J 2017.03.02
x.±0.50	x. °±5 °	REV.	A	TITLE	Micro SIM 1.5H掀盖 8pin conn	CHECKED	
.x±0.25	.x °±2 °	SIZE		SHEET	1 OF 2	APPROVED	
.xx±0.15	.xx °±1 °	A4					

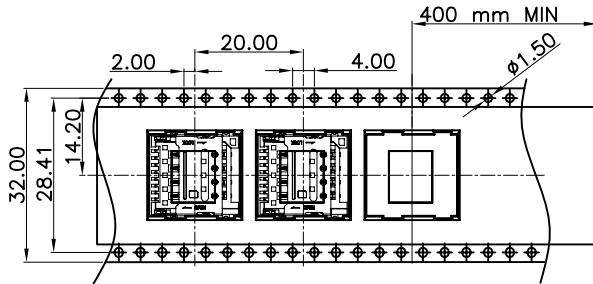
UNIT	mm	SCALE	NO SCALE
东莞市欧联电子科技有限公司 DONGGUAN OLN ELECTRONICS TECHNOLOGY CO., LTD.			

东莞市欧联电子科技有限公司

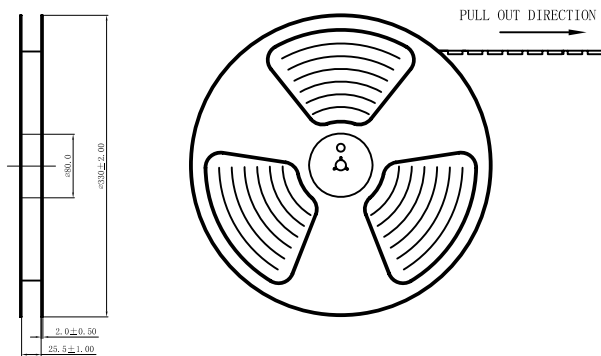
包装作业规范

包装作业图示及说明 (PACKING OPERATION DIAGRAM & INSTRUCTION)

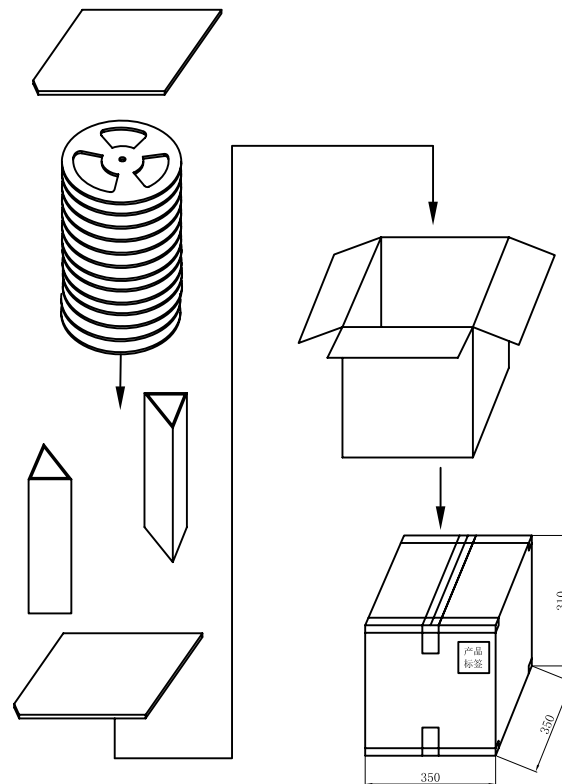
- 一.
- 1) 将成品一一放入REEL包装盘内, 依同一方向放入.
 - 2) 包装时, 如图所示.
 - 3) 一个REEL包装盘放置 1250 个成品.



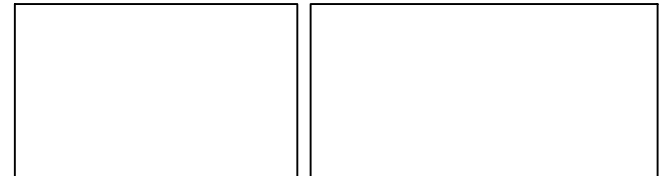
- 二.
- 1) 装盘前先把前面空15格, 然后再开始装盘, 尾端也需空出15格, 上带加长200mm.
 - 2) 装满成品的REEL包装盘如下图所示.



- 三.
- 1) 每箱装 8 盘REEL包装盘.
 - 2) 每箱放置 10000 PCS 的成品.



- 四.
- 1) 用TAPE将纸箱封实.



備註 (REMARK)

1. 若有未装满之零数箱, 必须以缓冲材塞满.

GENERAL TOLERANCE	DWG.NO.	SP97-AN401-00	PART.NO.	SP97-AN401-**	DRAWN	L.M.J 2016.08.16
x.±0.50	REV.	A	TITLE	Micro SIM 1.5H掀盖 8pin conn	CHECKED	
.x±0.25	SIZE	A4	SHEET	2 OF 2	APPROVED	
.xx±0.15						

UNIT	mm	SCALE	NO SCALE
东莞市欧联电子科技有限公司 DONGGUAN OLN ELECTRONICS TECHNOLOGY CO., LTD.			